



DRI-ECO-4S

Drimaster 4 Way Switch

Installation and Maintenance

1.0 Installing a 4 Way Switch (DRI-ECO-4S)



The switch is provided with an adhesive foam pad to allow quick and easy mounting to the wall. Alternatively the switch may be mounted to the wall using the fixing plate (screws are not provided).

Remove the switch fixing plate by inserting a flat head screwdriver in the rear of the switch on the left or right side, underneath the fixing plate and gently lever up the plate until the fixing lug releases. Repeat for the opposite side. This will give access to the battery compartment on the rear of the PCB and release the fixing plate. Reassemble the remaining components and press into place, an audible click will be heard. 1x CR 2032 battery is provided and expected lifetime is 10 years under normal use.

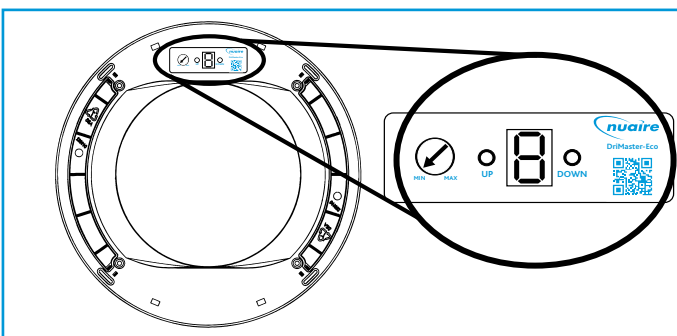
Normal - If the normal button is used, the unit will return to its standard operation programmed at the diffuser.

Boost (Purge) - If the boost button is used, the fan speed will increase to maximum and a 'P' will be shown in the display.

Heater auto - If the heater auto button is used, the heater switches on/off automatically as needed.

Heater off - If the heater off button is used 'Heater auto' will be disabled and the heater switches off.

1.1 Unit Binding Mode



Where a 4 way switch sensor is present, it must first be bound to the fan unit before it can work. In order to bind the sensor(s) the fan must be in binding mode. The steps required to enter binding mode are shown below.

1. Ensure the fan unit is powered on.
2. Unit will enter the start-up sequence for 2 minutes when first powered on. Press the down button on the ceiling diffuser control panel once, to exit the start-up sequence.
3. Press and hold both the UP and DOWN buttons for 20-30 seconds then release, a single horizontal bar on the display flashes.
4. Press "down" to enter binding mode (binding mode lasts for 5 minutes). The unit will now display a flashing 'b' to indicate it has entered binding mode.

Note: Solid "P" indicates boost, flashing "b" indicates binding mode.

1.2 Binding a 4 Way Switch

Once the fan unit is in binding mode, a switch may now be bound.

- Press and hold the 'Boost' & 'Heater off' button.
- The LED will flash GREEN twice when bound.

To check the the binding of a switch, press "boost". A green LED denotes that the switch is bound and the fan should run at full speed. A red LED denotes that the switch is not bound.

Note: if "b" and "P" are flashing on the display, the unit is in binding mode and purge (full speed).

1.3 Indicator LED's

The sensors and switches include an LED which illuminates when a button is pressed. A green light shows that communication between the sensor or switch and the fan unit is taking place. A red light shows that no communication is taking place and binding may be required.