

P. TOT.
kW 3,2-7,1

P. NOM.
kW 2,9-6,4



R 70

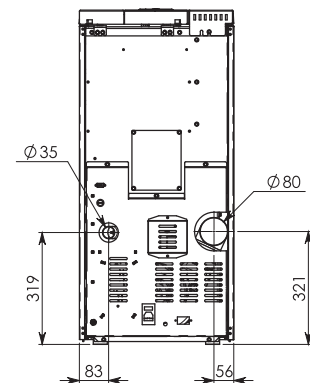
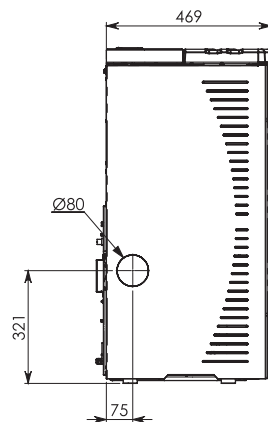
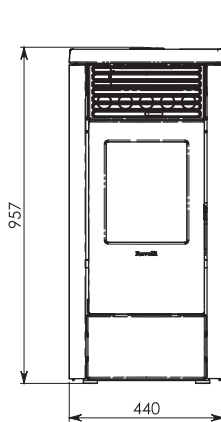


AVAILABLE COLOURS



DESCRIPTION

MOD. R 70



0,7 - 1,5

Pellet fuel consumption Kg./h (min/max)

90,8 %

Efficiency % (EN 14 785)

80

Flue exit pipe mm.

15

Tank capacity Kg.

10 - 23

Burn time Kg./h (min/max)

110

Installed power W

115

Net weight kg.

Smartheat Limited
Edgeworthstown Co Longford.
Eircode: N39 V257.
Phone: 353 1 2549488 / 353 43 6672034
Email: pat@smartheat.ie

SMARTHEAT