

P. TOT.  
kW 5,8-20,5

P. NOM.  
kW 5,5-18,7

P. H 20  
kW 4,7-16,3



INTELLIGENT  
BRAZIER

## HRV 160 TOUCH

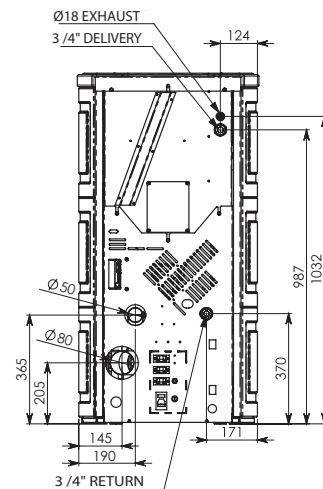
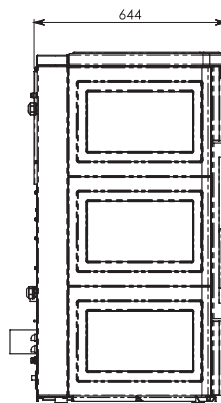
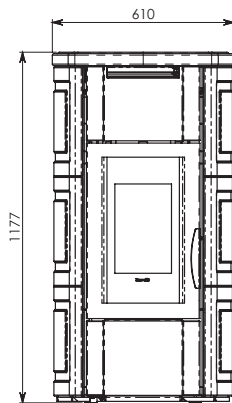


AVAILABLE COLOURS



### DESCRIPTION

MOD. HRV 160 TOUCH



1,2 - 4,3	91,1%	80	30	7 - 25	150	240
Pellet fuel consumption Kg./h (min/max)	Efficiency % (EN 14 785)	Flue exit pipe mm.	Tank capacity Kg	Burn time Kg./h (min/max)	Installed power W	Net weight kg.

Smarheat Limited  
Edgeworthstown Co Longford.  
Eircode: N39 V257.  
Phone: 353 1 2549488 / 353 43 6672034  
Email: pat@smarheat.ie

