

P. TOT.
kW 5,8-17,2

P. NOM.
kW 5,5-15,6

P. H 20
kW 4,7-14



+ INTELLIGENT
BRAZIER

HRV 140 TOUCH

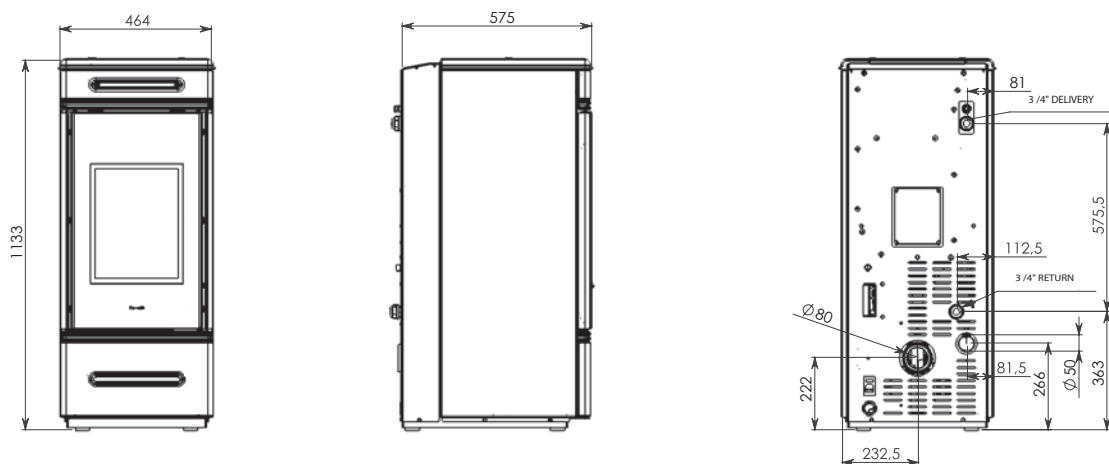


AVAILABLE COLOURS



DESCRIPTION

MOD. HRV 140 TOUCH



1,2 - 3,6

Pellet fuel consumption Kg./h (min/max)

> 90

Efficiency % (EN 14 785)

80

Flue exit pipe mm.

25

Tank capacity Kg

7 - 20

Burn time Kg./h (min/max)

130

Installed power W

160

Net weight kg.

Smarheat Limited
Edgeworthstown Co Longford.
Eircode: N39 V257.
Phone: 353 1 2549488 / 353 43 6672034
Email: pat@smarheat.ie

