

P. TOT.
kW 3,5-11,2

P. NOM.
kW 3,3-9,6



PHILOSOPHY

+ INTELLIGENT
BRAZIER

+ NATURAL
CONVECTION

+ HERMETIC
SYSTEM

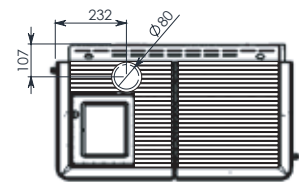
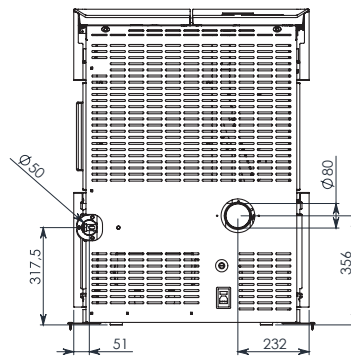
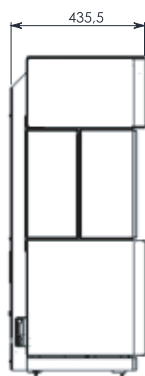
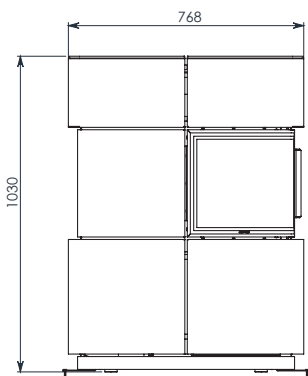
CHIARA S



AVAILABLE COLOURS



DESCRIPTION MOD. CHIARA S



0,7 - 2,3	85,6	80	18	7,8 - 25	60	200
Pellet fuel consumption Kg./h (min/max)	Efficiency % (EN 14 785)	Flue exit pipe mm.	Tank capacity Kg.	Burn time Kg./h (min/max)	Installed power W	Net weight kg.

Smartheat Limited
Edgeworthstown Co Longford.
Eircode: N39 V257.
Phone: 353 1 2549488 / 353 43 6672034
Email: pat@smartheat.ie

