



Code	EBW12
Output to water	11.8kW
Log length	500mm
Nett efficiency	73.4%
Width	680mm
Height	668mm
Depth	582mm

Our dedicated wood boiler features one of our biggest viewing glasses, providing an unhindered view of its glowing fire.

Featuring a modern design, clean-cut lines and a sleek handle, the wood boiler is certain to become the centre point of any room in an energy-conscious home.

## Features

- 5 year guarantee
- Easily accessible water sensor for trouble-free maintenance
- Pre-heated airwash system for sparkling clean glass
- Burns wood
- Compact space-saving design
- Discreetly positioned thermostatic control fitted as standard
- Flue Exhaust Diversion system to improve performance
- Large fire viewing window
- Primary and secondary burn to improve efficiency
- Suitable for installation in an indirect/ open-vented or sealed central heating system
- Up to 3 Bar operating pressure
- Integral cooling loop
- Sloping 45 degree 6" flue outlet
- Eligible for 5% VAT
- Optional choice of door colours
- Direct air supply compatible

## Optional Extras

Arada Ash Carrier - Medium - [ARA017]

## Ecoboiler Wood 12 - Technical Information

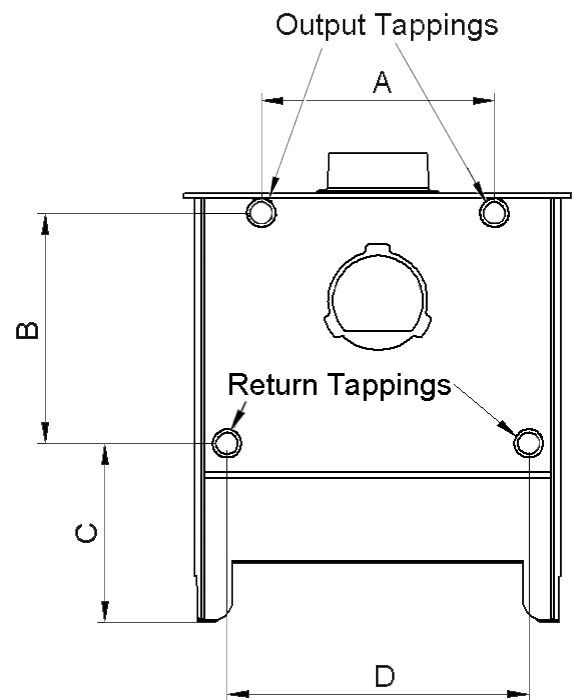
Code	EBW12
Output range to room	2-6kW
Output range to water	4-14kW
Maximum operating pressure	3bar
Nett efficiency	73.4%
Width	680mm
Height	668mm
Depth	582mm
Depth of back to centre of top flue	90mm
Flue diameter	152mm
Flue outlet	152
Suitable for 12mm hearth	No
Under hearth temperature	75°C
Suitable for direct air supply kit	Yes
Maximum log length	500mm

## Minimum Distance To Combustibles

To rear of stove	220 mm
To sides of stove	100 mm
Above stove	456 mm

## Boiler Tapping Measurements

Distance A	568 mm
Distance B	346 mm
Distance C	295 mm
Distance D	568 mm



Freestanding Boiler Tapping Measurements.  
Rear view example shown. Not to scale.