



Code	EB9HE-G4
Output to water	9kW
Log length	280mm
Nett efficiency	75.2%
Width	466mm
Height	570mm
Depth	417mm

Providing more than just superior performance, the Ecoboiler HE (high efficiency) has a large fire door glass and soft curved lines, offering an attractive focal point for any living area.

Regardless of whether you burn wood or solid fuel, these boiler stoves have the technology to keep your home warm and cosy.

On top of its stylish appearance, discreet thermostatic control and three bar operating pressure, its ability to produce 50% more heat to water than other boiler stoves ensures the Ecoboiler is the ultimate heating companion.

## Features

- 5 year guarantee
- Easily accessible water sensor for trouble-free maintenance
- Pre-heated airwash system for sparkling clean glass
- Stainless steel ash pan
- Burns wood or solid fuel
- Compact space-saving design
- Discreetly positioned thermostatic control fitted as standard
- 'Easy Boost' system
- Large, externally controlled riddling grate
- Flue Exhaust Diversion system to improve performance
- Primary and secondary burn to improve efficiency
- Suitable for installation in an indirect/open-vented central heating system
- Up to 3 Bar operating pressure
- Top or rear flue outlet
- Direct air supply compatible

## Optional Extras

- Arada Ash Carrier - Small - [ARA016]
- Arada Universal Stand - [STAND001]
- Floor Fixing Kit - [AFS1135]
- Universal Stand/Log Store - [STAND003]

## Ecoboiler 9 HE - Technical Information

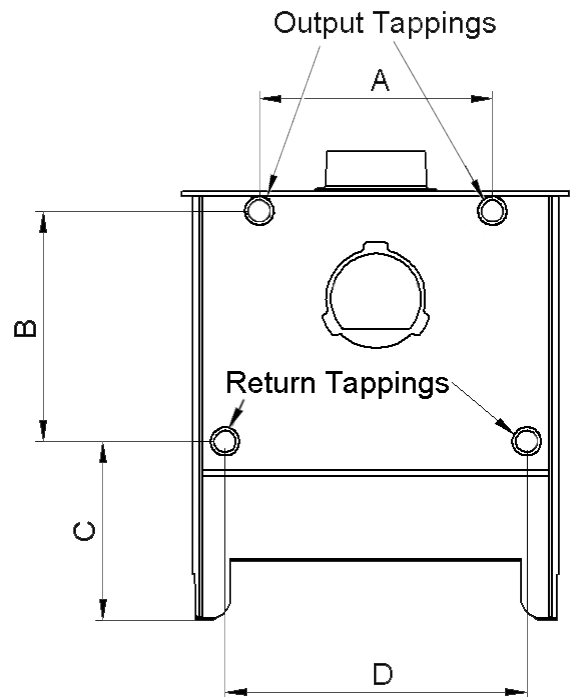
Code	EB9HE-G4
Output range to room	2-5kW
Output range to water	3-11kW
Nett efficiency	75.2%
Width	466mm
Height	570mm
Depth	417mm
Height to centre of rear flue	431mm
Added height when on stand	125mm
Depth of back to centre of top flue	144mm
Flue diameter	101mm
Suitable for 12mm hearth	No
Under hearth temperature	89.0°C
Suitable for direct air supply kit	Yes
Packed weight	112kg
Maximum log length	280mm

## Minimum Distance To Combustibles

To rear of stove	150 mm
To sides of stove	100 mm

## Boiler Tapping Measurements

Distance A	260 mm
Distance B	288 mm
Distance C	255 mm
Distance D	356 mm



Freestanding Boiler Tapping Measurements.  
Rear view example shown. Not to scale.