

# Ecoboiler 25 HE



Code	EB25HE-G4
Output to water	22.5kW
Log length	450mm
Nett efficiency	72.4%
Width	678mm
Height	725mm
Depth	498mm

Providing more than just superior performance, the Ecoboiler HE (high efficiency) has a large fire door glass and soft curved lines, offering an attractive focal point for any living area.

Regardless of whether you burn wood or solid fuel, these boiler stoves have the technology to keep your home warm and cosy.

On top of its stylish appearance, discreet thermostatic control and three bar operating pressure, its ability to produce 50% more heat to water than other boiler stoves ensures the Ecoboiler is the ultimate heating companion.

## Features

- 5 year guarantee
- Easily accessible water sensor for trouble-free maintenance
- Pre-heated airwash system for sparkling clean glass
- Stainless steel ash pan
- Burns wood or solid fuel
- Compact space-saving design
- Discreetly positioned thermostatic control fitted as standard
- 'Easy Boost' system
- Large, externally controlled riddling grate
- Flue Exhaust Diversion system to improve performance
- Primary and secondary burn to improve efficiency
- Suitable for installation in an indirect/open-vented central heating system
- Up to 3 Bar operating pressure
- Top or rear flue outlet
- Direct air supply compatible

## Optional Extras

- Arada Ash Carrier - Large - [ARA018]
- Arada Universal Stand - [STAND002]
- Floor Fixing Kit - [AFS1135]
- Universal Stand/Log Store - [STAND004]



## Ecoboiler 25 HE - Technical Information

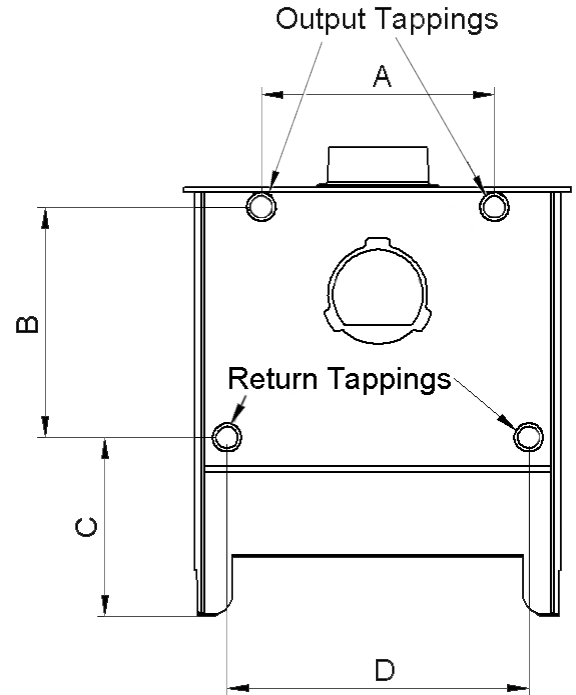
Code	EB25HE-G4
Output range to room	2-7kW
Output range to water	6-26kW
Nett efficiency	72.4%
Width	678mm
Height	725mm
Depth	498mm
Height to centre of rear flue	565mm
Added height when on stand	200mm
Depth of back to centre of top flue	152mm
Flue diameter	152mm
Suitable for 12mm hearth	No
Under hearth temperature	138.9°C
Suitable for direct air supply kit	Yes
Packed weight	195kg
Maximum log length	450mm

## Minimum Distance To Combustibles

To rear of stove	200 mm
To sides of stove	150 mm

## Boiler Tapping Measurements

Distance A	390 mm
Distance B	416 mm
Distance C	280 mm
Distance D	544 mm



Freestanding Boiler Tapping Measurements.  
Rear view example shown. Not to scale.