

# Ecoboiler 16 HE Inset



Code	EB16HE-INSET-G4
Output to water	16.1kW
Log length	405mm
Nett efficiency	71.5%
Width	626mm
Height	636mm
Depth	544mm

The inset version of the Ecoboiler HE range provides high efficiency whilst fitting perfectly into a standard British fireplace opening. Featuring a large curved viewing glass, simple controls and the ultimate in state-of-the-art boiler stove technology, our inset Ecoboiler will transform any fireplace with its sophisticated style.

## Features

- 5 year guarantee
- Easily accessible water sensor for trouble-free maintenance
- Pre-heated airwash system for sparkling clean glass
- Burns wood or solid fuel
- Stainless steel ash pan
- Compact space-saving design
- Discreetly positioned thermostatic control fitted as standard 'Easy Boost' system
- Large, externally controlled riddling grate
- Fits into standard British fireplace opening
- Flue Exhaust Diversion system to improve performance
- Primary and secondary burn to improve efficiency
- Suitable for installation in an indirect/open-vented central heating system
- Up to 3 Bar operating pressure

## Optional Extras

- Arada Ash Carrier - Small - [ARA016]



## Ecoboiler 16 HE Inset - Technical Information

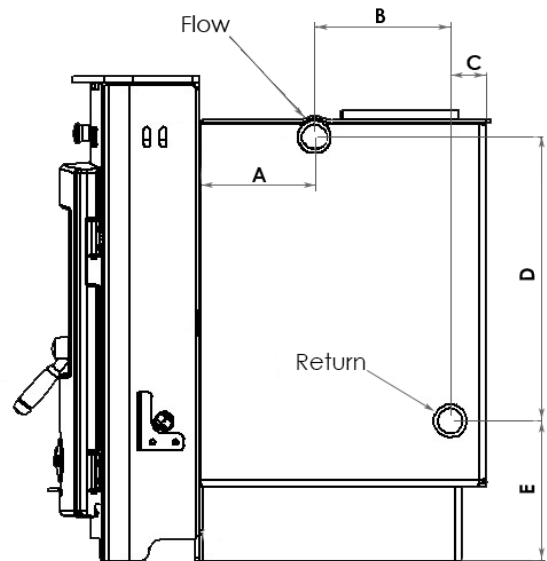
Code	EB16HE-INSET-G4
Output range to room	2-6kW
Output range to water	4-18kW
Nett efficiency	71.5 %
Width	626mm
Height	636mm
Depth	544mm
Depth of front fascia	177mm
Width in fireplace	528mm
Height in fireplace	543mm
Depth into fireplace	357mm
Depth of back to centre of top flue	122mm
Flue diameter	127mm
Suitable for 12mm hearth	No
Under hearth temperature	284.3°C
Suitable for direct air supply kit	No
Packed weight	140kg
Maximum log length	405mm

## Minimum Distance To Combustibles

To sides of stove	75 mm
Above stove	100 mm

## Boiler Tapping Measurements

Distance A	120 mm
Distance B	177 mm
Distance C	59 mm
Distance D	355 mm
Distance E	168 mm



Inset Boiler Tapping Measurements.  
Side view example shown. Not to scale.