

Ecoboiler 12 HE



Code	EB12HE-G4
Output to water	12.1kW
Log length	350mm
Nett efficiency	71.5%
Width	533mm
Height	603mm
Depth	412mm

Providing more than just superior performance, the Ecoboiler HE (high efficiency) has a large fire door glass and soft curved lines, offering an attractive focal point for any living area.

Regardless of whether you burn wood or solid fuel, these boiler stoves have the technology to keep your home warm and cosy.

On top of its stylish appearance, discreet thermostatic control and three bar operating pressure, its ability to produce 50% more heat to water than other boiler stoves ensures the Ecoboiler is the ultimate heating companion.

Features

- 5 year guarantee
- Easily accessible water sensor for trouble-free maintenance
- Pre-heated airwash system for sparkling clean glass
- Stainless steel ash pan
- Burns wood or solid fuel
- Compact space-saving design
- Discreetly positioned thermostatic control fitted as standard
- 'Easy Boost' system
- Large, externally controlled riddling grate
- Flue Exhaust Diversion system to improve performance
- Primary and secondary burn to improve efficiency
- Suitable for installation in an indirect/open-vented central heating system
- Up to 3 Bar operating pressure
- Top or rear flue outlet
- Direct air supply compatible

Optional Extras

- Arada Ash Carrier - Medium - [ARA017]
- Arada Universal Stand - [STAND002]
- Floor Fixing Kit - [AFS1135]
- Universal Stand/Log Store - [STAND004]



Ecoboiler 12 HE - Technical Information

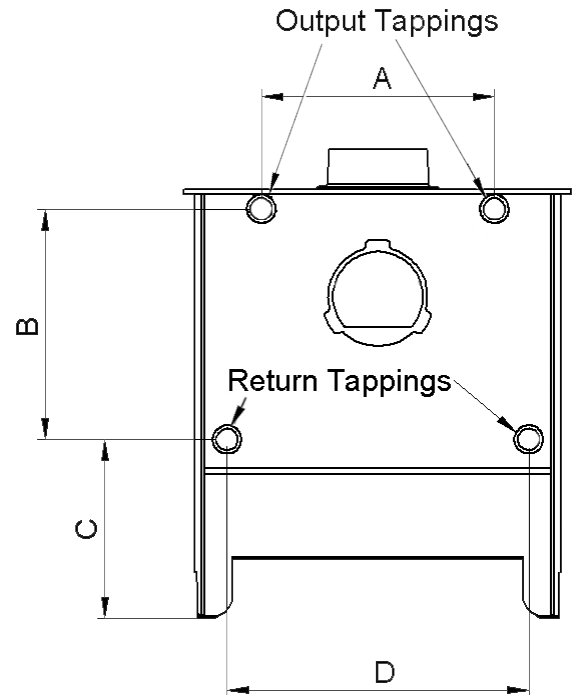
Code	EB12HE-G4
Output range to room	2-6kW
Output range to water	4-14kW
Nett efficiency	71.5%
Width	533mm
Height	603mm
Depth	412mm
Height to centre of rear flue	442mm
Added height when on stand	125mm
Depth of back to centre of top flue	149mm
Flue diameter	127mm
Suitable for 12mm hearth	No
Under hearth temperature	135.6°C
Suitable for direct air supply kit	Yes
Packed weight	119kg
Maximum log length	350mm

Minimum Distance To Combustibles

To rear of stove	150 mm
To sides of stove	130 mm

Boiler Tapping Measurements

Distance A	326 mm
Distance B	324 mm
Distance C	252 mm
Distance D	422 mm



Freestanding Boiler Tapping Measurements.
Rear view example shown. Not to scale.