



Code	ECB9FPLUS
Output	8.8kW
Log length	380mm
Nett efficiency	71.6%
Width	541mm
Height	600mm
Depth	365mm

The Ecoburn Plus range of stoves is visually astounding with an extensive viewing glass. Offering more choice over the type of fuel burnt through the *Flexifuel* System, Ecoburn Plus stoves provide outstanding efficiencies along with all the features that have become synonymous with our stylish contemporary stoves.

## Features

- Lifetime guarantee
- Airwash system for sparkling clean glass
- Stainless steel ash pan
- Burns wood or solid fuel
- Externally controlled riddling grate
- Large fire viewing window
- Flexifuel System
- Primary and secondary burn to improve efficiency
- Top or rear flue outlet

## Optional Extras

- Add-in Boiler - [AIB3]
- Arada Ash Carrier - Medium - [ARA017]
- Arada Universal Stand - [STAND002]
- Floor Fixing Kit - [AFS1135]

## Ecoburn Plus 9 - Technical Information

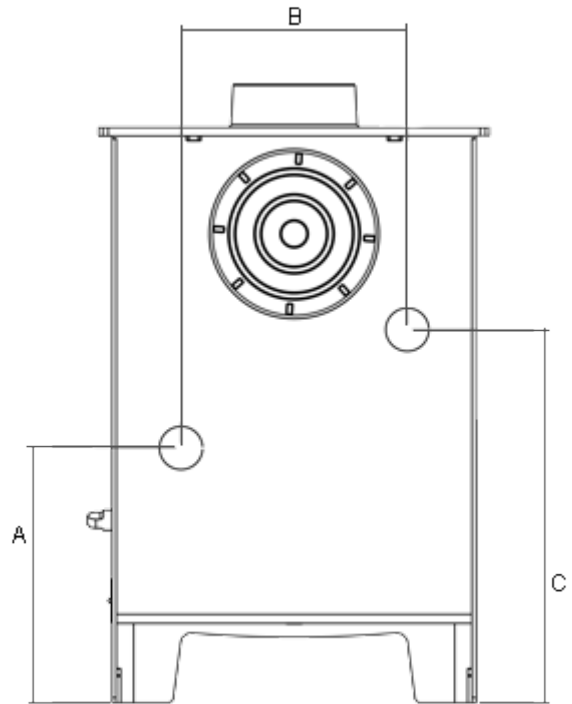
Code	ECB9FPLUS
Output range	2-11kW
Nett efficiency	71.6 %
Width	541mm
Height	600mm
Depth	365mm
Height to centre of rear flue	492mm
Added height when on stand	136mm
Added height when on log store	336mm
Depth of back to centre of top flue	102mm
Flue diameter	127mm
Suitable for 12mm hearth	Yes
Under hearth temperature	45.0°C
Suitable for direct air supply kit	No
Packed weight	79kg
Maximum log length	380mm

## Minimum Distance To Combustibles

To rear of stove	750 mm
To sides of stove	500 mm

## Boiler Tapping Measurements

Distance A	245 mm
Distance B	269 mm
Distance C	391 mm



Add In Boiler Tapping Measurements.  
Rear view example shown. Not to scale.