



Code	ECB4FPLUS
Output	4.5kW
Log length	240mm
Nett efficiency	86.3%
Width	355mm
Height	535mm
Depth	365mm

The Ecoburn Plus range of stoves is visually astounding with an extensive viewing glass. Offering more choice over the type of fuel burnt through the *Flexifuel* System, Ecoburn Plus stoves provide outstanding efficiencies along with all the features that have become synonymous with our stylish contemporary stoves.

Features

- Lifetime guarantee
- Pre-heated airwash system for sparkling clean glass
- Stainless steel ash pan
- Burns wood or solid fuel
- Externally controlled riddling grate
- Large fire viewing window
- Flexifuel System
- Primary and secondary burn to improve efficiency
- Top or rear flue outlet

Optional Extras

- Add-in Boiler - [AIB0]
- Arada Ash Carrier - Small - [ARA016]
- Arada Universal Stand - [STAND001]
- Floor Fixing Kit - [AFS1135]

Ecoburn Plus 4 - Technical Information

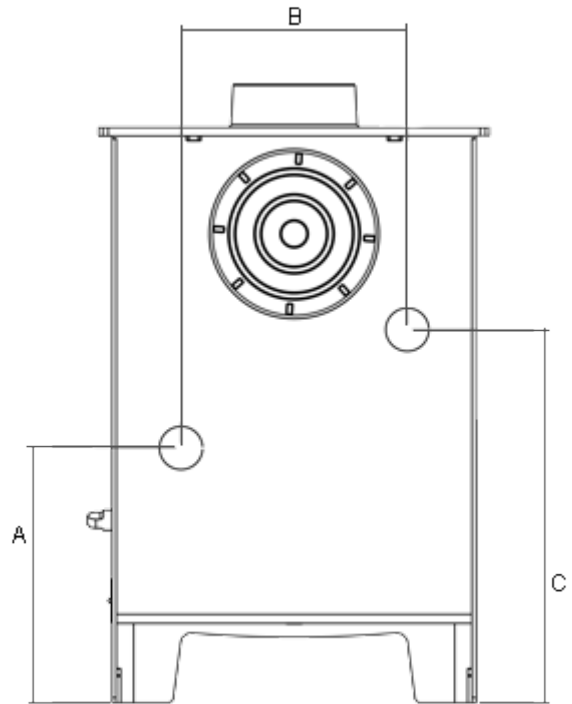
Code	ECB4FPLUS
Output range	1-5.5kW
Nett efficiency	86.3%
Width	355mm
Height	535mm
Depth	365mm
Height to centre of rear flue	436mm
Added height when on stand	136mm
Added height when on log store	336mm
Depth of back to centre of top flue	94mm
Flue diameter	102mm
Suitable for 12mm hearth	Yes
Under hearth temperature	59.1°C
Suitable for direct air supply kit	No
Packed weight	47kg
Maximum log length	240mm

Minimum Distance To Combustibles

To rear of stove	700 mm
To sides of stove	500 mm

Boiler Tapping Measurements

Distance A	237 mm
Distance B	210 mm
Distance C	347 mm



Add In Boiler Tapping Measurements.
Rear view example shown. Not to scale.